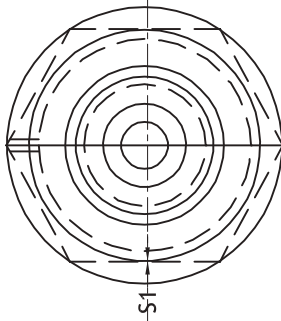
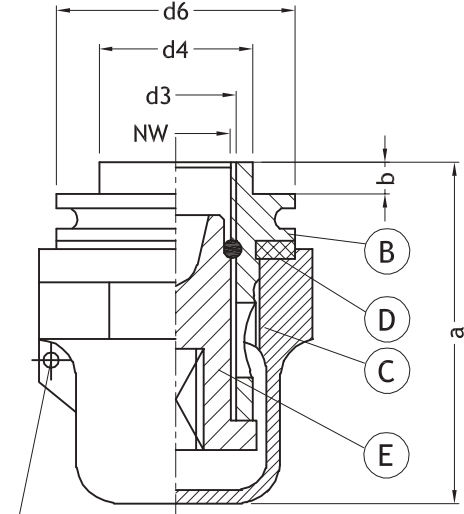


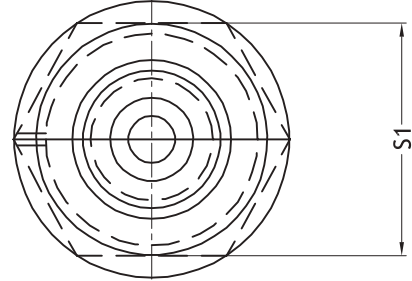
3 mm diameter hole for the wire of the lead seal



Type Standart



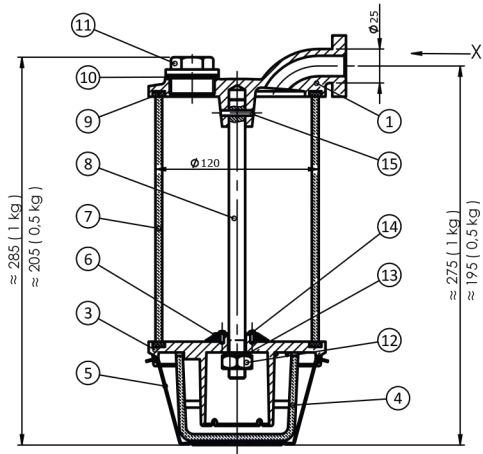
3 mm diameter hole for the wire of the lead seal



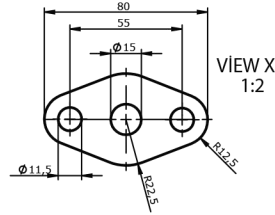
Type OR

NOMINAL WIDTH NW	FOR THREEPHASE NW	a	b	THREAD TYPE d3	d4	d6:S1	WEIGHT kg	STANDART CODE NO	OR TYPE CODE NO
22	Up to 800 Kva	67	6	M24x1,5	30	46	0,56	2992-1	2992-10
31	Above 800 to 1600kVA	93	10	M33x1,5	40	65	1,29	2993-1	2993-10
40	Above 1600kVA	112	10	M42x1,5	52	80	2,25	2994-1	2994-10

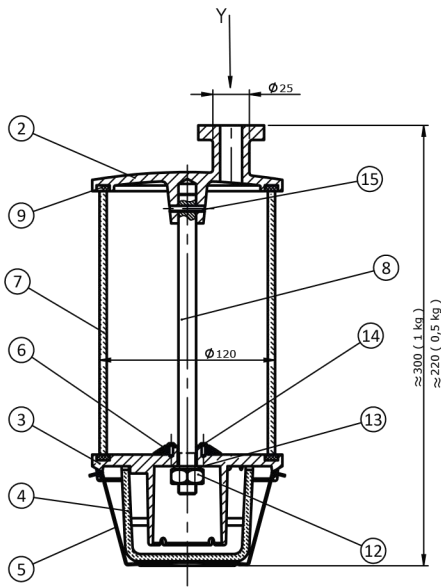
(Temperature Resistance : up to 100° C)



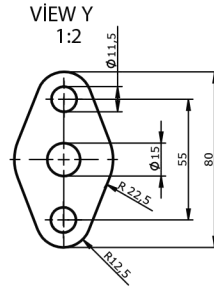
DIN 42 567 FORM A
MOISTURE HOLDERS



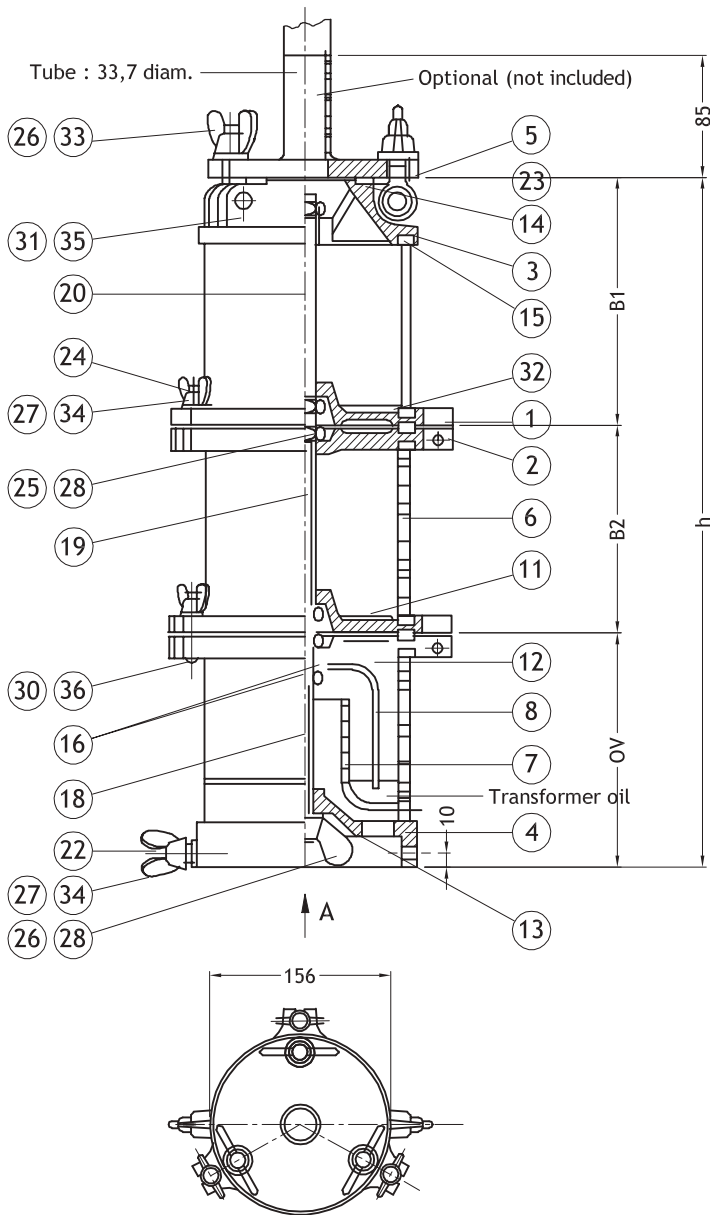
“Orange” silicagel will change its color to “Green” upon absorption of moisture.



MOSTURE HOLDERS
DIN 42 567 B



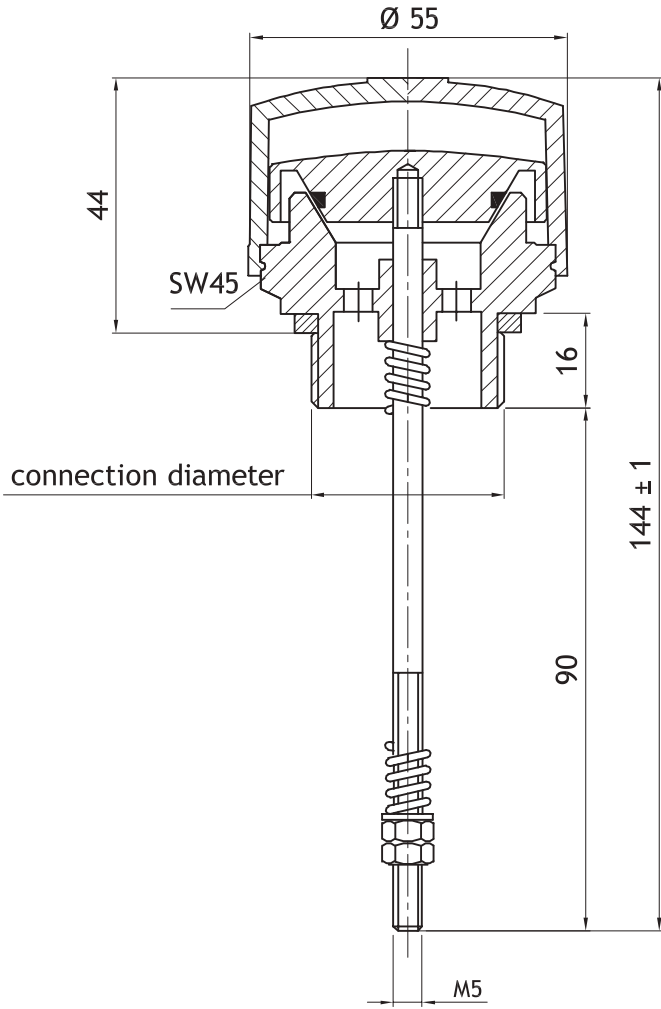
Pos. No.	Description	Material	DIN 42567 Form A 0,5 KG	DIN 42567 Form A 1 KG	DIN 42567 Form B 0,5 KG	DIN 42567 Form B 1 KG
1	Top Section DIN 42567 FORM A	Al	1	1	–	–
2	Top Section DIN 42567 FORM B	Al	–	–	1	1
3	Bottom Section DIN 42567	Al	1	1	1	1
4	Oil Bowl	plexiglas	1	1	1	1
5	Holder	CrNi 177	1	1	1	1
6	Sieve	Al	1	1	1	1
7	Glass Cylinder 120x5x100	Glass	1	–	1	–
	Glass Cylinder 120x5x180	Glass	–	1	–	1
8	Bridging Plug	St 33	1	–	1	–
	Bridging Plug	St 33	–	1	–	1
9	Gasket	NBR	2	2	2	2
10	Gasket	NBR	1	1	–	–
11	Plug	Al	1	1	–	–
12	Nut	ST	1	1	1	1
13	Spring Washer	A2	1	1	1	1
14	Rivet	Al	2	2	2	2
15	Pin	ST	1	1	1	1



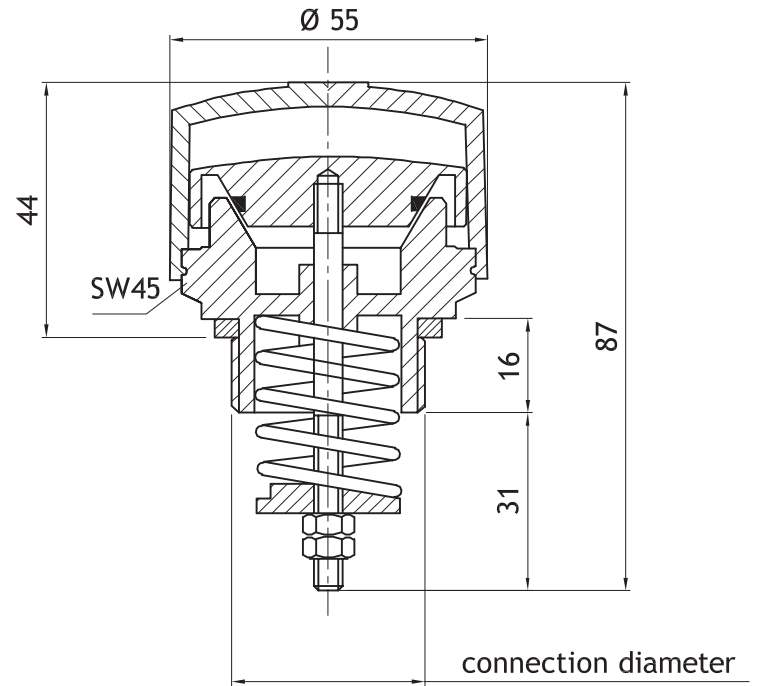
"A" Detail

Pos	Qty.	Description	Specification
1	1	Partition Plate	DIN 42562-1
2	2	Partition Plate	DIN 42562-2
3	1	Top Section	DIN 42562-3
4	1	Bottom section	DIN 42562-4
5	1	Flange	DIN 42562-5
6	2	Glass Cylinder	DIN 42562-6
7	1	Oil Cylinder	DIN 42562-7
8	1	Dome	DIN 42562-8
11	2	Perforated Plate	DIN 42562-11
12	1	Perforated Plate	DIN 42562-12
13	1	Perforated Plate	DIN 42562-13
14	1	Gasket	DIN 42562-14
15	8	Gasket	DIN 42562-15
16	2	Gasket	DIN 42530-M1-250
18	1	Bolt	M12x150-A2.70
19	1	Bolt	M12x130-A2.70
20	1	Bolt	M12x140-A2.70
22	2	Stud Bolt	DIN 939-M8x30-A2.70
23	3	Eyebolt	DIN 944-BM 12x55
24	6	Eyebolt	DIN 944-BM 8x40-A2.70
25	5	Hexagon Nut	DIN 934-M12-A2.70
26	4	Wing Nut	DIN 315-M12-A2.70C
27	8	Wing Nut	DIN 315-M8-A2.70C
28	6	Spring Washer	B 12-nr St
29	13	Grooved Pin	2.5X5-5CrNi 1911
30	12	Circlips	DIN 471-8x0,8-nrSt
31	6	Circlips	DIN 471-10x1-nrSt
33	3	Washer	DIN 125-B 13-nrSt
34	8	Washer	DIN 125-B- 8.4-nrSt
35	6	Stud	DIN 42562-35
36	3	Stud	DIN 42562-36

Dimension	L1	L2	L3	L4
Silicagel Amount kg	1,2	2,4	3,6	4,8
Height (h)	342	489	636	783
Weight of Moisture Holders without Silicagel(No Fillings)	9,2	12,6	16,3	20,0
Assembly Groups	B1	1	1	1
	B2		1	2
	OV	1	1	1

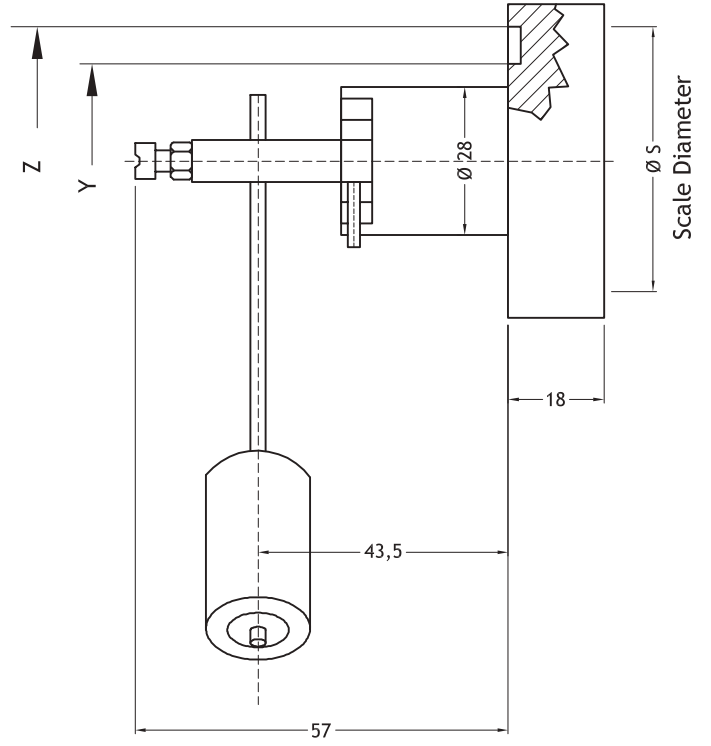
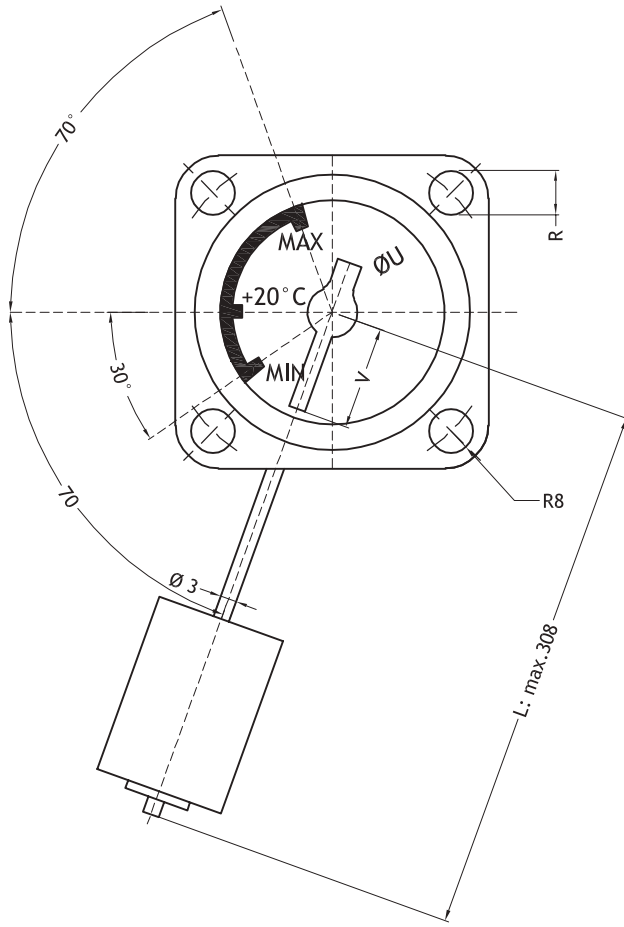


T - 10



T - 10K1

Types	Code no.	Connection Diameter
T - 10	61101	R1"
	61102	R1 ½ "
	61104	R2"
T - 10K1	63101	R1"
	63102	R1 ½ "
	63104	R2"



Types	Code no.	Norm
KSS A	511	DIN 42569
KSS B	521	-
KSS F	534	-
KSS G	535	-